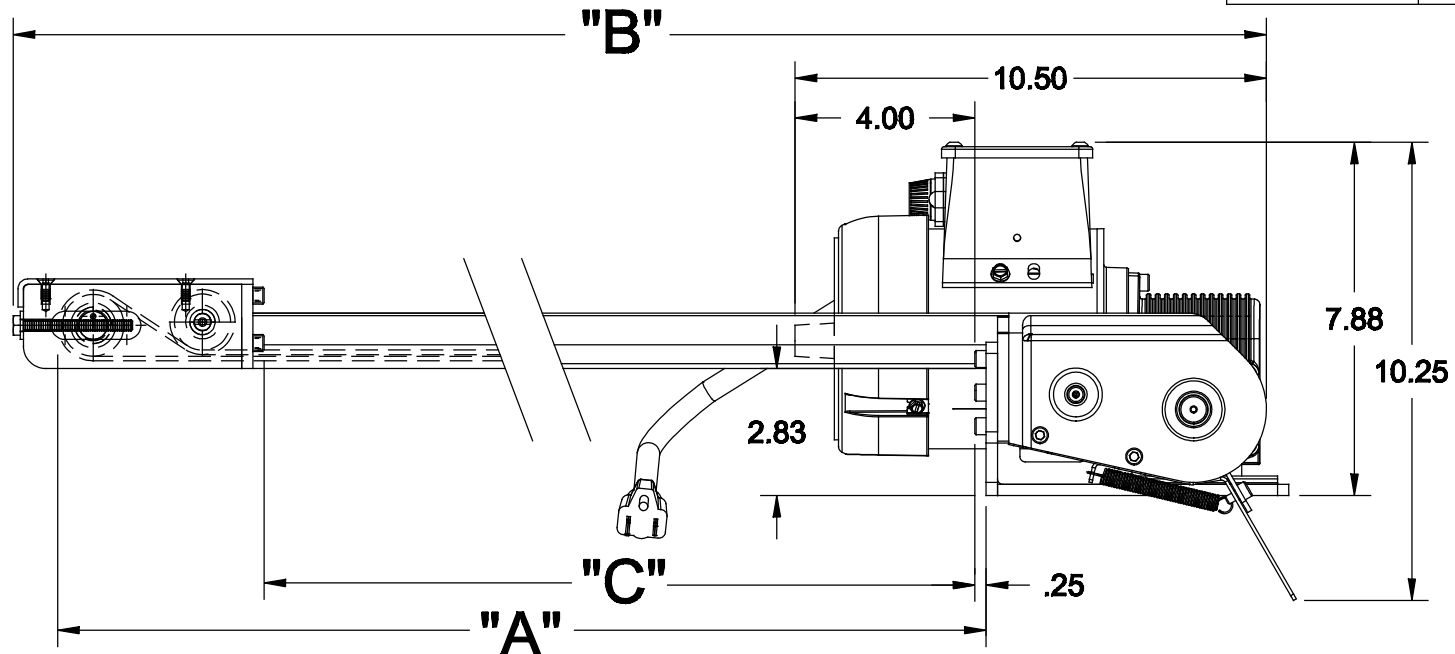


# PAX RIGHT ANGLE CONVEYOR

CONVEYOR LENGTH	A	B	C
4'	48"	55.06"	43.00"
5'	60"	67.06"	55.00"
6'	72"	79.06"	67.00"
7'	84"	91.06"	79.00"
8'	96"	103.06"	91.00"

CONVEYOR WIDTH	D	E
4"	3.95"	2.35"
5"	4.95"	3.35"
6"	5.95"	4.35"
7"	6.95"	5.35"
8"	7.95"	6.35"
9"	8.95"	7.35"
10"	9.95"	8.35"
11"	10.95"	9.35"
12"	11.95"	10.35"
14"	13.95"	12.35"
16"	15.95"	14.35"
18"	17.95"	16.35"
20"	19.95"	18.35"



**NOTE:**  
TRAVEL OF CONVEYED MATERIAL WILL BE TOWARDS DRIVE END.