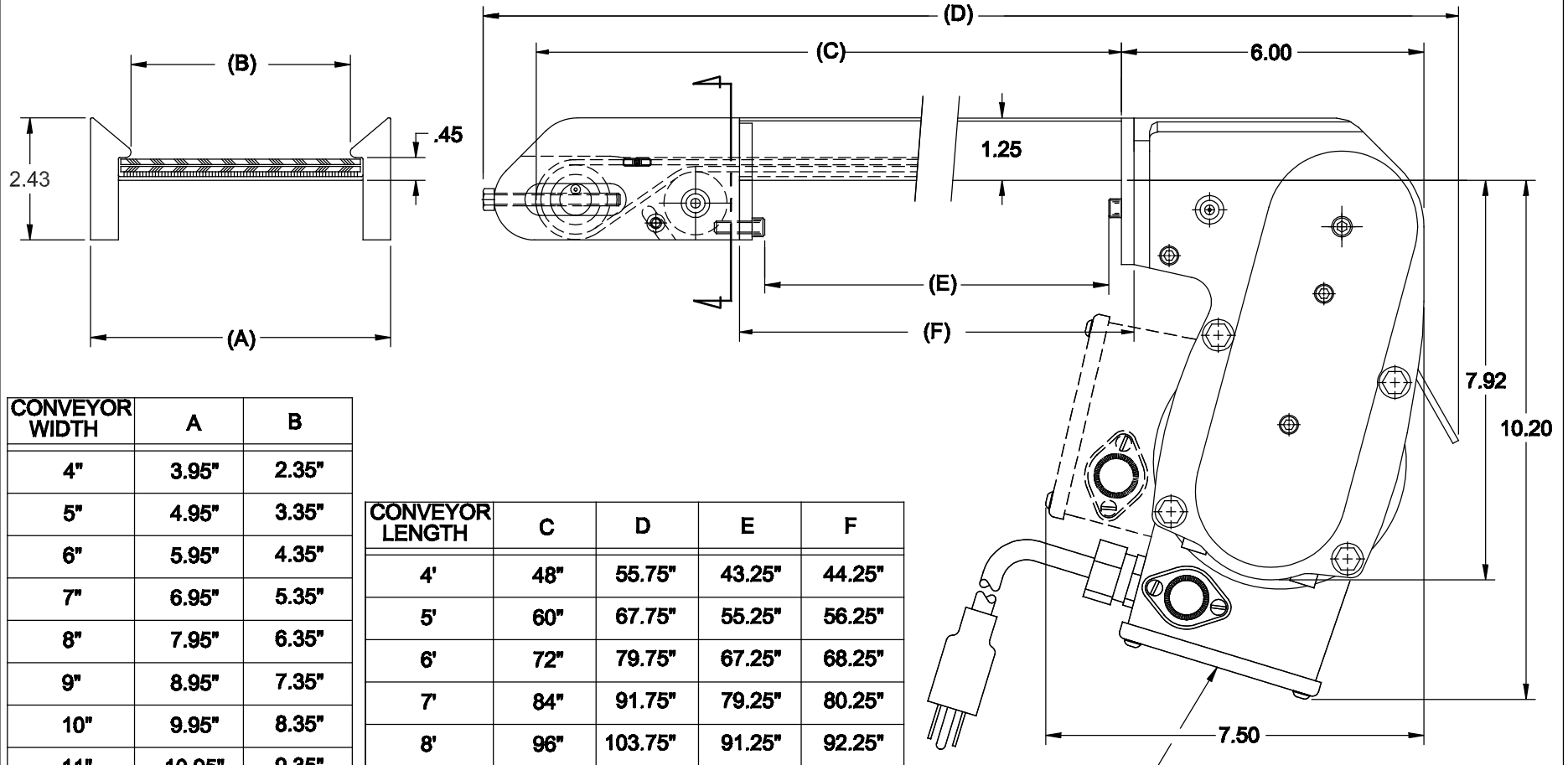


## PAX CONVEYOR INVERTED DRIVE DIMENSIONS



CONVEYOR WIDTH	A	B
4"	3.95"	2.35"
5"	4.95"	3.35"
6"	5.95"	4.35"
7"	6.95"	5.35"
8"	7.95"	6.35"
9"	8.95"	7.35"
10"	9.95"	8.35"
11"	10.95"	9.35"
12"	11.95"	10.35"
14"	13.95"	12.35"
16"	15.95"	14.35"
18"	17.95"	16.35"
20"	19.95"	18.35"

CONVEYOR LENGTH	C	D	E	F
4'	48"	55.75"	43.25"	44.25"
5'	60"	67.75"	55.25"	56.25"
6'	72"	79.75"	67.25"	68.25"
7'	84"	91.75"	79.25"	80.25"
8'	96"	103.75"	91.25"	92.25"

TERMINAL BOX CAN BE  
ROTATED 90 DEG. CLOCKWISE  
TO REDUCE OVERALL  
HEIGHT AS SHOWN

NOTE: TRAVEL OF CONVEYED MATERIAL  
WILL BE TOWARDS DRIVE END